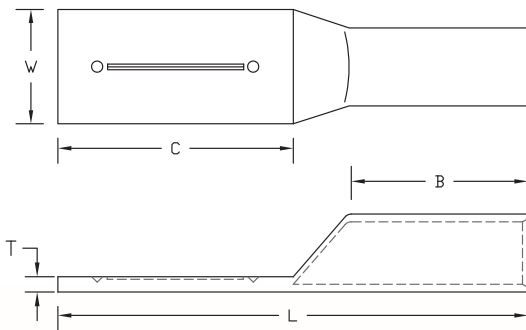


# COPPER COMPRESSION LUGS

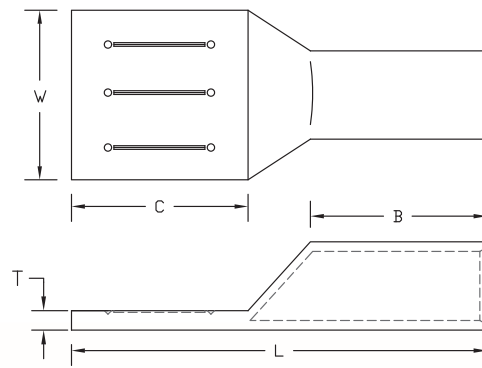
## Long Barrel - Blank Tongue with Closed Transition

### Types BBLU-DNU, BBLU-FNU

- Manufactured from high conductivity seamless copper tubing
- Tin-plated to inhibit corrosion
- Beveled entry for easy cable insertion
- Closed transition protects end of cable from environmental conditions
- **Blank / Undrilled tongues allow user to select custom hole sizes and spacings while maintaining UL listing and CSA certification**
- Scored line locates center of tongue and prevents drill from “walking”
- Long barrel provides high pull out force and added secureness for improved mechanical and electrical properties
- Color coded barrels are marked with die index numbers
- Connectors are suitable for voltages up to 35 KV
- **Connectors are UL listed and CSA certified with Penn-Union, Burndy, T&B, Huskie, Greenlee and Versa-Crimp® style tooling**



**BBLU-DNU**



**BBLU-FNU**

See table for dimensions and installation tooling information

## BBLU-DNU, BBLU-FNU DIMENSIONS & INSTALLATION TOOLING INFORMATION

CATALOG NUMBER	COPPER CONDUCTOR SIZE	MIN. BOLT HOLE*	FIGURE DIMENSIONS (IN.)					INSTALLATION TOOLING				WIRE STRIP LENGTH
			TONGUE WIDTH "W"	TONGUE LENGTH "C"	TONGUE THICKNESS "T"	BARREL LENGTH "B"	OVERALL LENGTH "L"	COLOR CODE	PENN-UNION DIELESS MECHANICAL TOOLS	BURNDY DIE INDEX NO. /TOOL	PENN-UNION DIE CATALOG NO.	
BBLU-8DNU	8 AWG	#10	.83	3.00	.12	.94	4.19	Red	TDM-250 or TDM-500	6	T-49	1-1/16"
BBLU-6DNU	6 AWG	#10	.83	3.00	.12	1.13	4.35	Blue		7	T-7	1-1/4"
BBLU-4DNU	4 AWG	#10	.92	3.00	.10	1.13	4.38	Gray		8	T-8	1-1/4"
BBLU-3DNU	3 AWG	1/4"	.92	3.00	.12	1.13	4.35	White		9	T-9	1-1/4"
BBLU-2DNU	2 AWG	1/4"	.81	3.00	.10	1.25	4.53	Brown		10	T-10	1-5/16"
BBLU-1DNU+Δ	1 AWG	1/4"	.70	2.77	.09	1.20	4.12	Green	-	Y644HS	-	1-5/16"
BBLU-1/0DNU	1/0 AWG	1/4"	.81	3.00	.10	1.38	4.63	Pink	TDM-250 or TDM-500	12	T-12	1-1/2"
BBLU-2/0DNU	2/0 AWG	1/4"	.82	3.00	.12	1.50	4.84	Black		13	T-13	1-5/8"
BBLU-3/0DNU	3/0 AWG	1/4"	.89	3.00	.13	1.50	4.91	Orange		14	T-14	1-5/8"
BBLU-4/0DNU	4/0 AWG	1/4"	1.00	3.00	.14	1.63	5.10	Purple		15	T-15	1-3/4"
BBLU-025DNU	250 kcmil	1/4"	1.09	3.00	.16	1.63	5.13	Yellow		16	T-16	1-3/4"
BBLU-030DNU	300 kcmil	1/4"	1.19	3.00	.16	2.00	5.59	White	TDM-500	17	T-17	2-1/8"
BBLU-035DNU	350 kcmil	1/4"	1.28	3.00	.17	2.00	5.66	Red		18	T-18	2-1/8"
BBLU-040DNU	400 kcmil	3/8"	1.39	3.00	.19	2.13	5.79	Blue		19	T-19	2-1/4"
BBLU-050DNU	500 kcmil	3/8"	1.53	3.00	.21	2.25	6.03	Brown		20	T-20	2-3/8"
BBLU-060DNU	600 kcmil	3/8"	1.72	3.00	.27	2.69	6.56	Green		22	T-22	2-13/16"
BBLU-065DNU	650 kcmil	3/8"	1.78	3.00	.27	2.81	6.68	Pink	Hatched	300	T-300	2-15/16"
BBLU-075DNU	750 kcmil	3/8"	1.91	3.00	.27	2.88	6.85	Black		24	T-24	3"
BBLU-080DNU	800 kcmil	3/8"	1.97	3.00	.25	2.94	7.00	Orange		25	T-25P	3-1/16"
BBLU-100DNU	1000 kcmil	3/8"	2.17	3.00	.33	3.00	7.16	White		27	T-27P	3-1/8"
BBLU-150-DNU	1500 kcmil	3/8"	2.69	3.00	.39	3.19	7.44	Green		31	T-31P	3-5/16"
BBLU-200DNU	2000 kcmil	3/8"	3.08	3.00	.47	3.44	7.78	Brown		34	-	3-9/16"
BBLU-100FNU+	1000 kcmil	3/8"	2.88	3.00	.33	3.00	7.06	White		27	T-27P	3-1/8"
BBLU-125FNU+	1250 kcmil	3/8"	3.00	3.00	.30	3.19	7.44	Yellow		29	-	3-5/16"
BBLU-150FNU+	1500 kcmil	3/8"	3.00	3.00	.39	3.06	7.41	Green		31	T-31P	3-3/16"
BBLU-175FNU+	1750 kcmil	3/8"	2.91	3.00	.39	3.09	7.88	Gray		33	-	3-1/4"
BBLU-200FNU+	2000 kcmil	3/8"	3.08	3.00	.47	3.44	7.75	Brown		34	-	3-9/16"

\* Minimum bolt hole size must be maintained for UL & CSA

Δ Connector only UL listed with Burndy Y644HS crimp tool, not listed for grounding & bonding applications

+ Not CSA certified

• For 45° or 90° BENT TONGUES add suffix "-45" for 45 deg. or "-90" for 90 deg. to the catalog number

- Connectors from 8 AWG - 2000 kcmil are UL listed per UL486A-B and CSA certified per C22.2 No.65 for POWER applications
- Connectors from 8 AWG - 500 kcmil are UL listed for grounding, bonding and direct burial applications per UL467
- Connectors from 8 AWG - 250 kcmil are CSA certified for grounding, bonding and direct burial applications per C22.2 No.41